

EasyAccess[®]

Series 7100 Low Energy



Door system for standard ADA low energy applications

Compliant with ANSI A156.19, A117.1 and Americans With Disabilities Act of 1990

Standard system features & benefits:

- Heavy duty motor designed for standard handicap applications
- Surface mount 4" x 6" side access header. Optional 6" x 6" side access available.
- Available for butt hung and center pivoted door assemblies
- Installs easily with no structural changes required



Handicap Accessible



Surface Applied Operator

Additional Features/Benefits

- Push-N-Go[®] automatic activation by pushing or pulling door panel
- SoftTouch[®] reversing and obstruction sensing
- Automatic opening with push button or push plate
- Easily adjustable opening & closing speeds
- Manual operation in case of power failure
- Available in a variety of anodized, paint or clad finishes



Specify Horton and demand AAADM certified installation



Did You Know?



Low energy operators move the door slowly at a rate considered intrinsically safe.

Low Energy Swing Door Operators



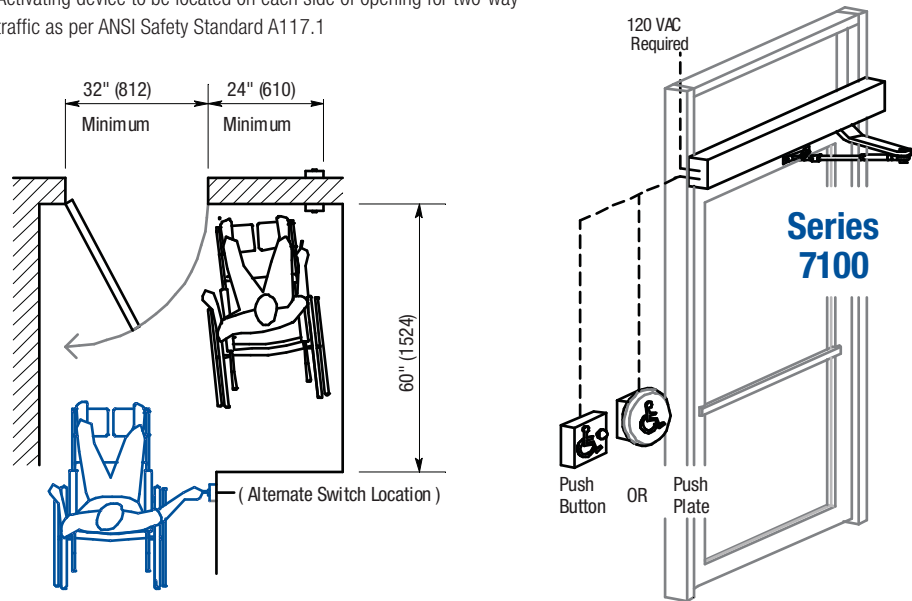
EasyAccess®

Series 7100 Low Energy

Once the activating switch is pressed, the Series 7100 operator slowly opens the door and holds it open for an adjustable, delayed length of time. This creates a barrier-free doorway and gives the pedestrian time to pass through the door before it slowly closes using spring force of less than 15 pounds (67 N.)

Installation and Operation

Activating device to be located on each side of opening for two-way traffic as per ANSI Safety Standard A117.1



Electrical Requirements:

120, 220 VAC, 50 - 60 Hz, single phase, 15 amp service. Current draw - 3.15 amps.

Adjustments:

- Opening speed: 3 to 6 sec. to 80° (Open check)
- Closing speed: 3 to 6 sec. from 90° to 10° (Close Check)
- Time delay: 2 to 30 sec. (ANSI A156.19 requires 5 sec. minimum time delay).

Selection Guide

Standard Single Units

Door Width	Header Width
3'-0" (914)	3'-3" (991)
3'-6" (1067)	3'-9" (1143)

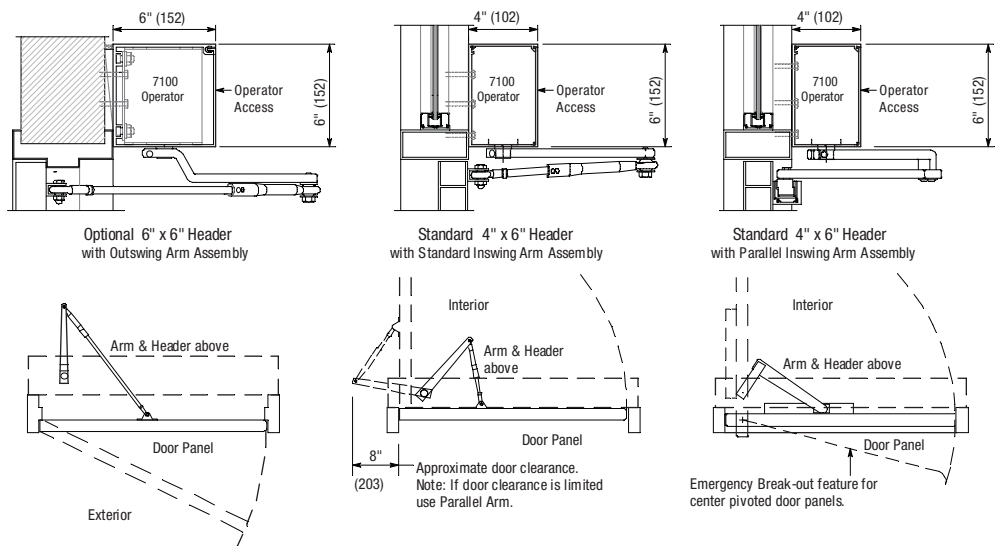
Standard Pair Units

Pair Width	Header Width
5'-0" (1524)	5'-3" (1600)
6'-0" (1829)	6'-9" (1905)
7'-0" (2133)	7'-3" (2210)

Maximum Door Width:
3'-6" (1067)

Maximum Door Weight:
200 lbs (91kg)

Architectural Details



Specify **HORTON**



Horton Automatics
World Headquarters
4242 Baldwin Boulevard
Corpus Christi, Texas 78405-3399 USA
Phone: 800-531-3111, 361-888-5591
Fax: 361-888-6510
www.hortondoors.com

Horton Automatics, Ltd.
United Kingdom
Unit A, Hortonwood 31
Telford, Shropshire, England TF1-7YZ
Phone: 01952 670169
Fax: 01952 670181



A Division of
Overhead Door Corporation
A Sanwa Shutter Company